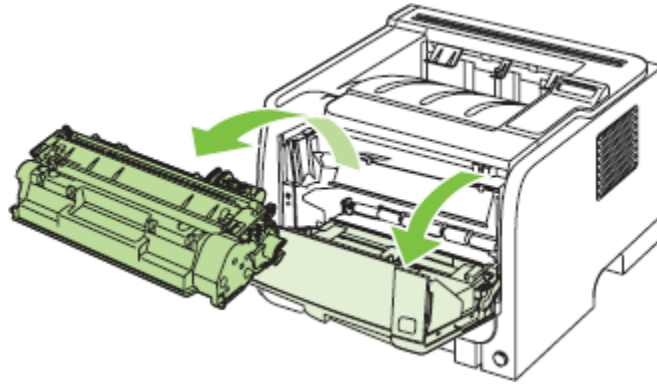


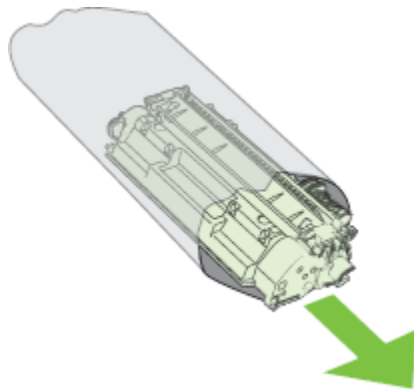
Toner cartridge replacement

When a print cartridge approaches the end of useful life, you are prompted to order a replacement. You can continue printing with the current cartridge until redistributing the toner no longer yields acceptable print quality.

1. Push the button to open the print-cartridge door, and then remove the print cartridge.

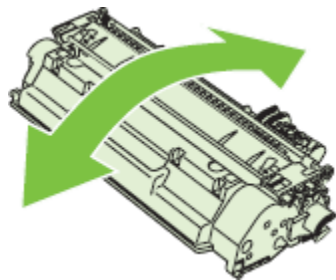


2. Remove the new print cartridge from the bag. Place the used print cartridge in the bag for recycling.

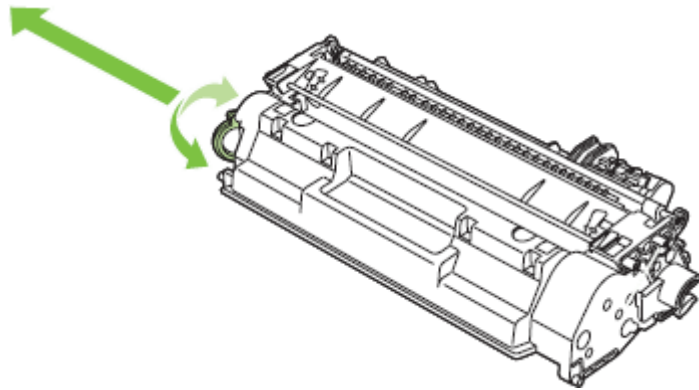


3. Grasp both sides of the print cartridge and distribute the toner by gently rocking the print cartridge.

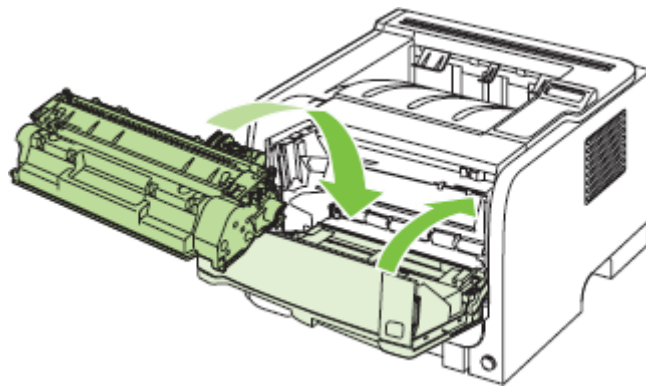
CAUTION: Do not touch the shutter or the surface of the roller.



- 4.
5. Bend the tab on the left side of the cartridge until the tab breaks loose. Pull the tab until all the tape is removed from the cartridge. Place the tab and tape in the print-cartridge box to return for recycling.



6. Align the print cartridge with the tracks inside the product, insert the print cartridge until it is firmly seated, and then close the print-cartridge door.



7. Installation is complete. Place the used print cartridge in the box in which the new cartridge arrived. See the enclosed recycling guide for recycling instructions.