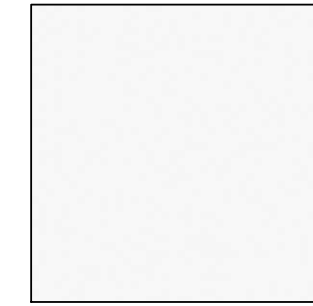


CUSTOM RECEPTION DESK

FINISHES



CAMBRIA WHITEHALL
QUARTZ COUNTERTOP 3CM



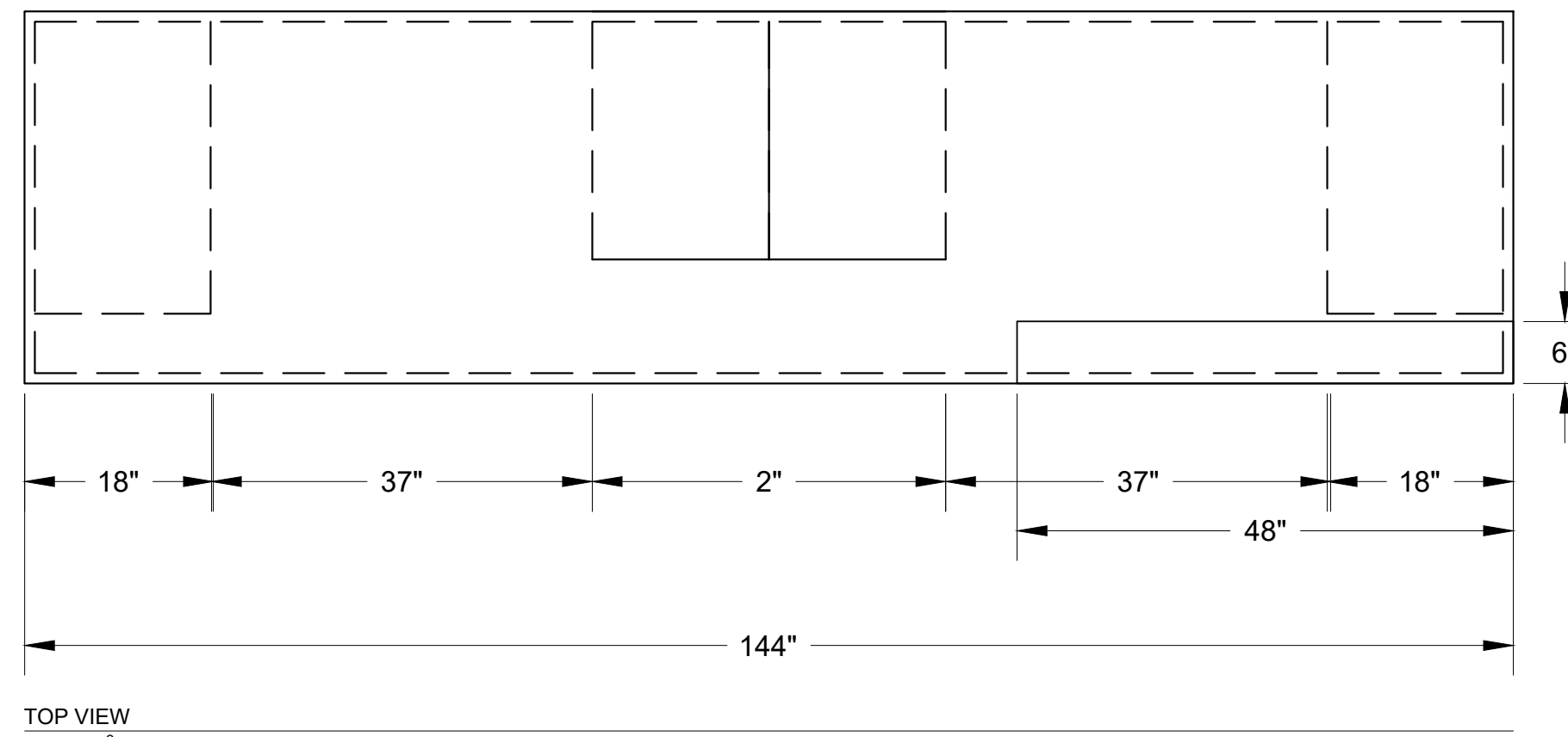
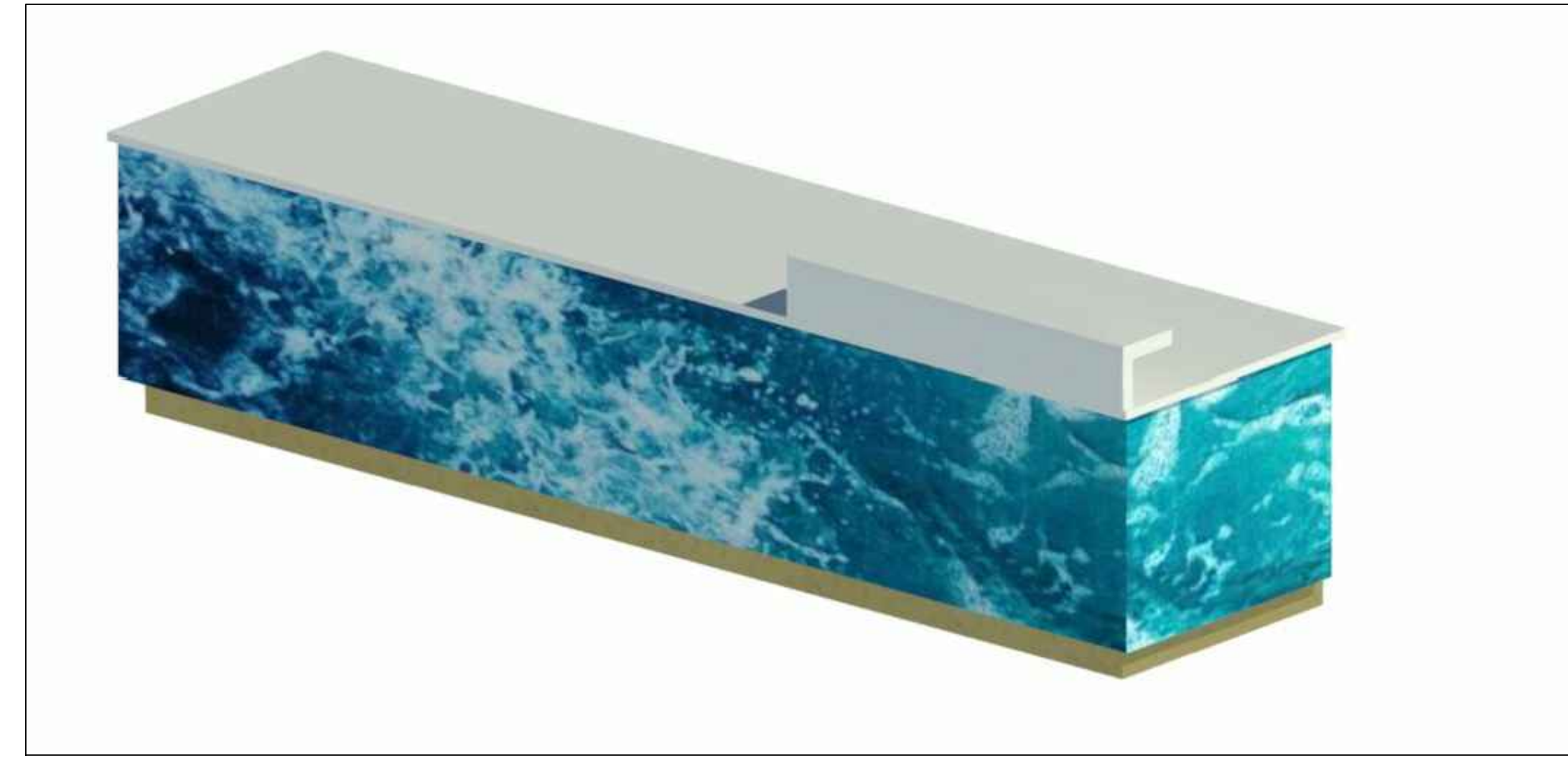
FORMICA HIGH PRESSURE
LAMINATE IN BRITE WHITE



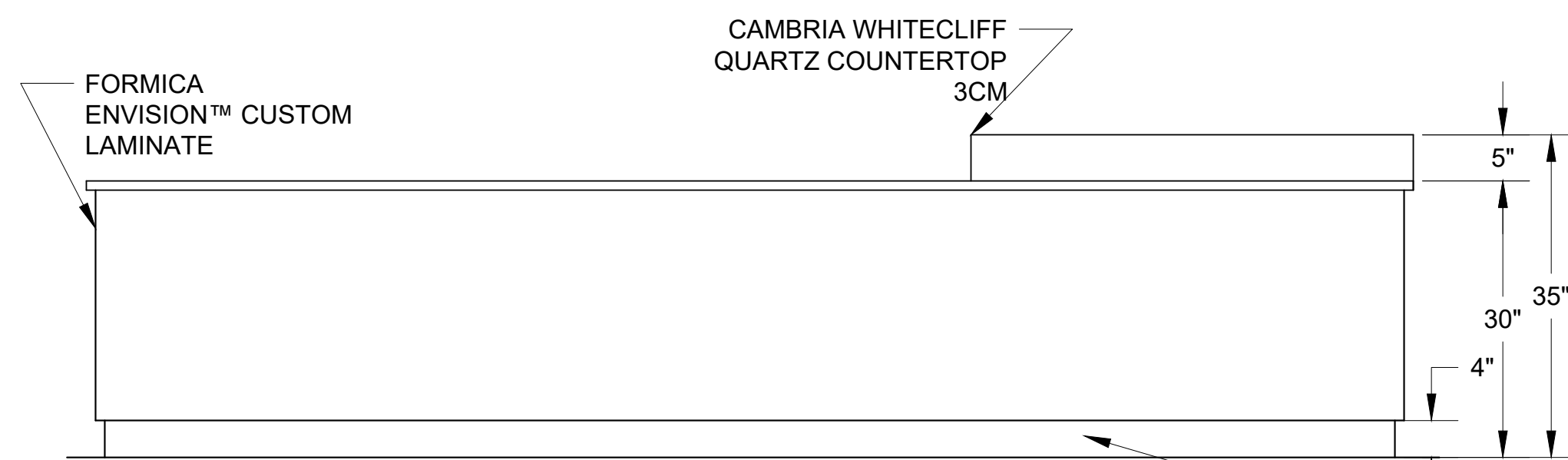
DECOMETAL® METAL LAMINATE
M2126 BRUSHED BRONZETONED
ALUMINUM



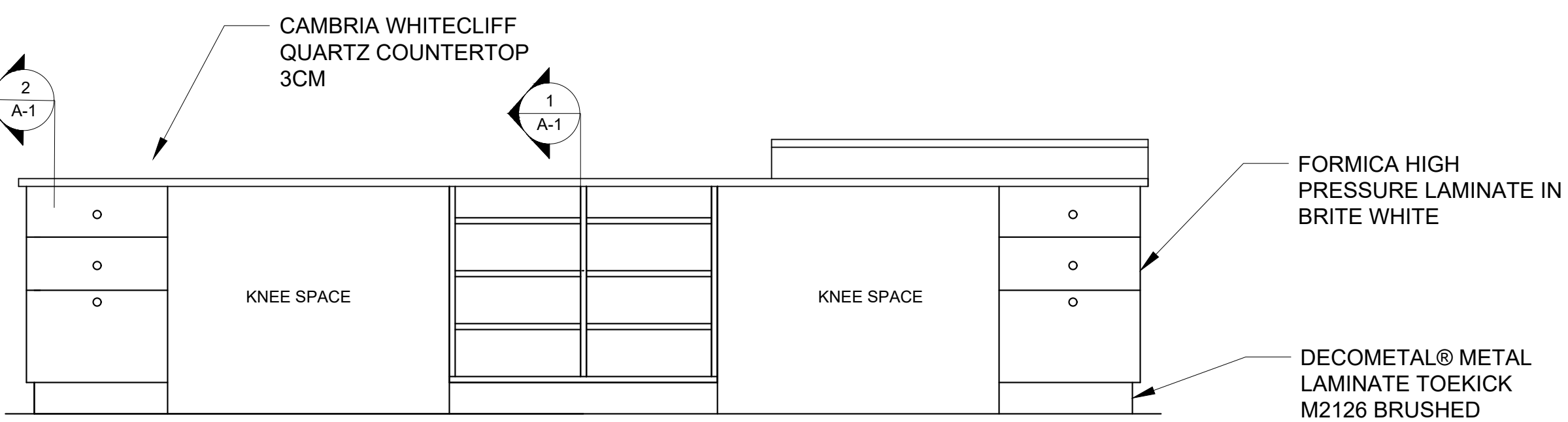
FORMICA ENVISION™ CUSTOM LAMINATE OCEAN GRAPHIC



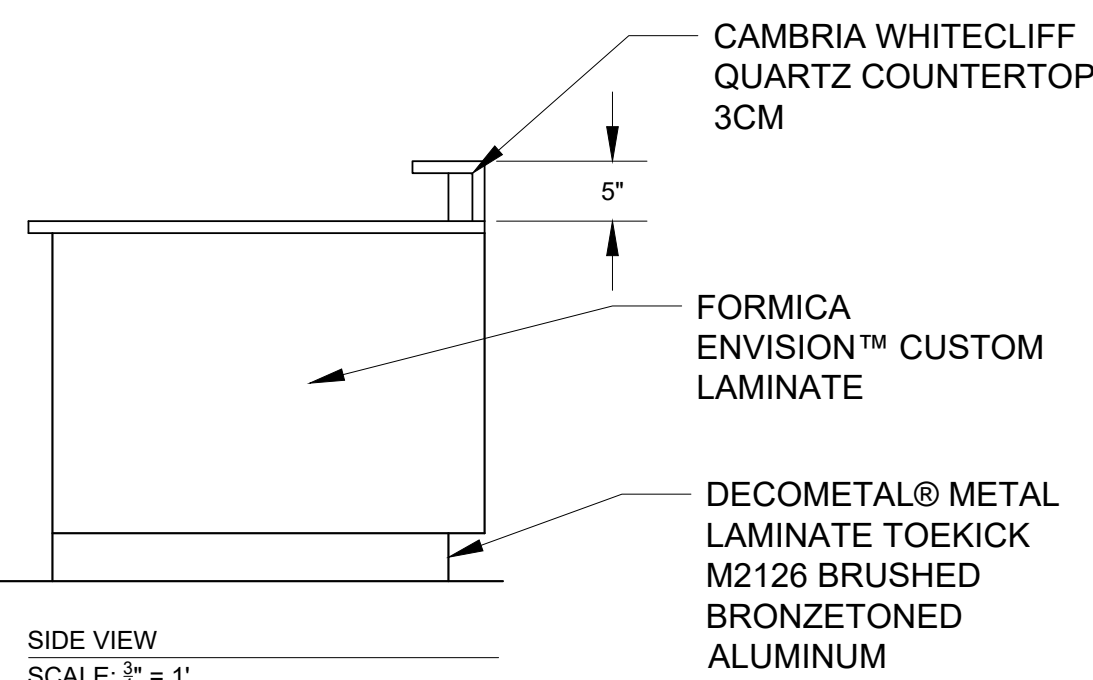
TOP VIEW
SCALE: 3/4" = 1'



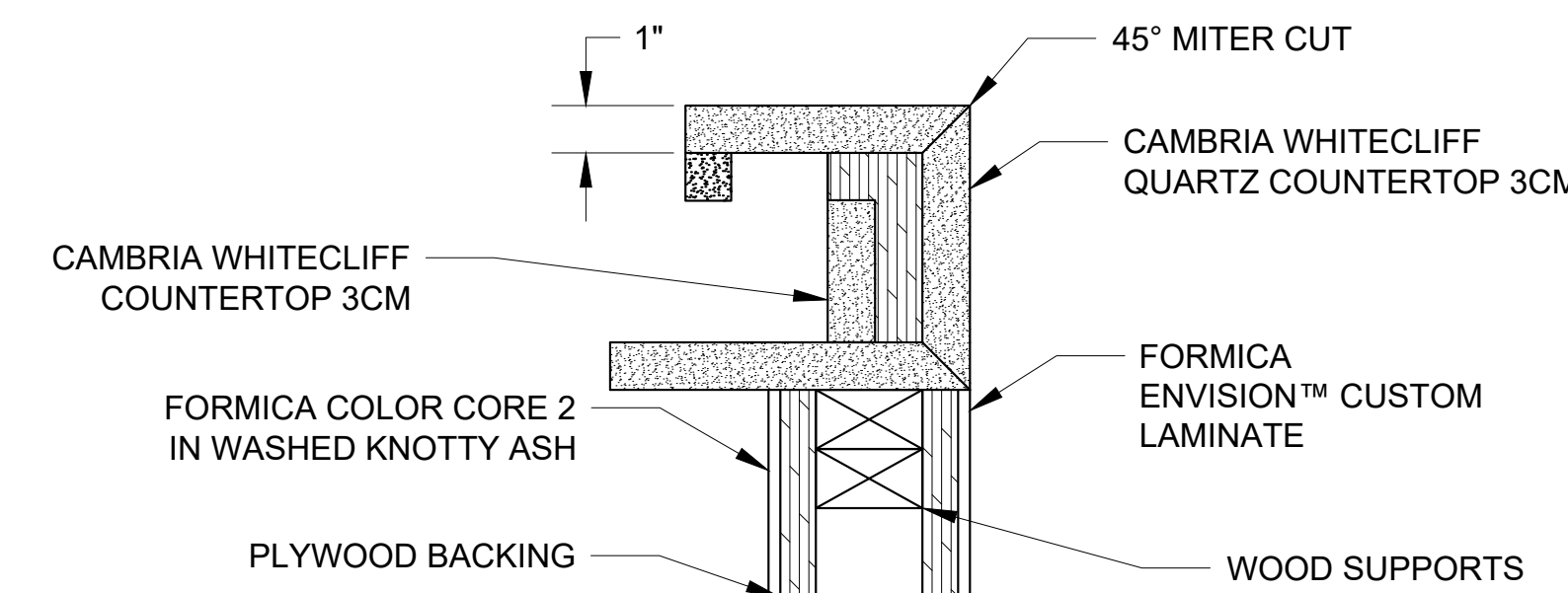
FRONT VIEW
SCALE: 3/4" = 1'



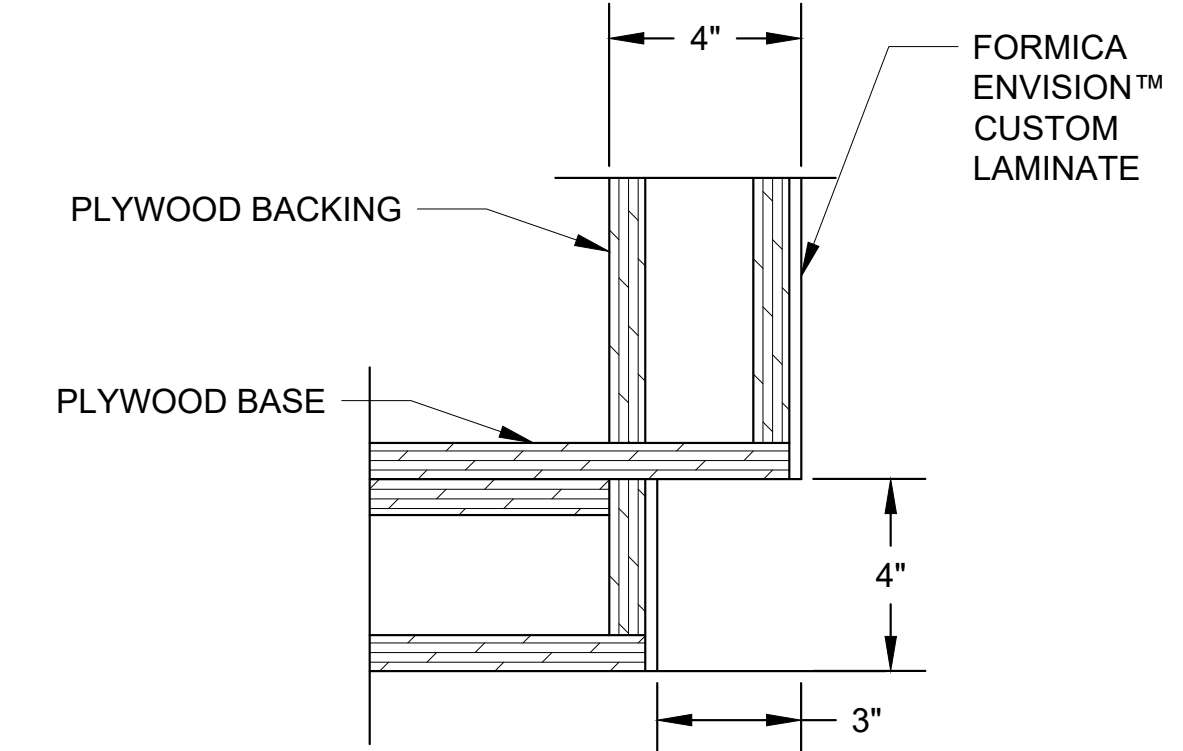
REAR VIEW
SCALE: 3/4" = 1'



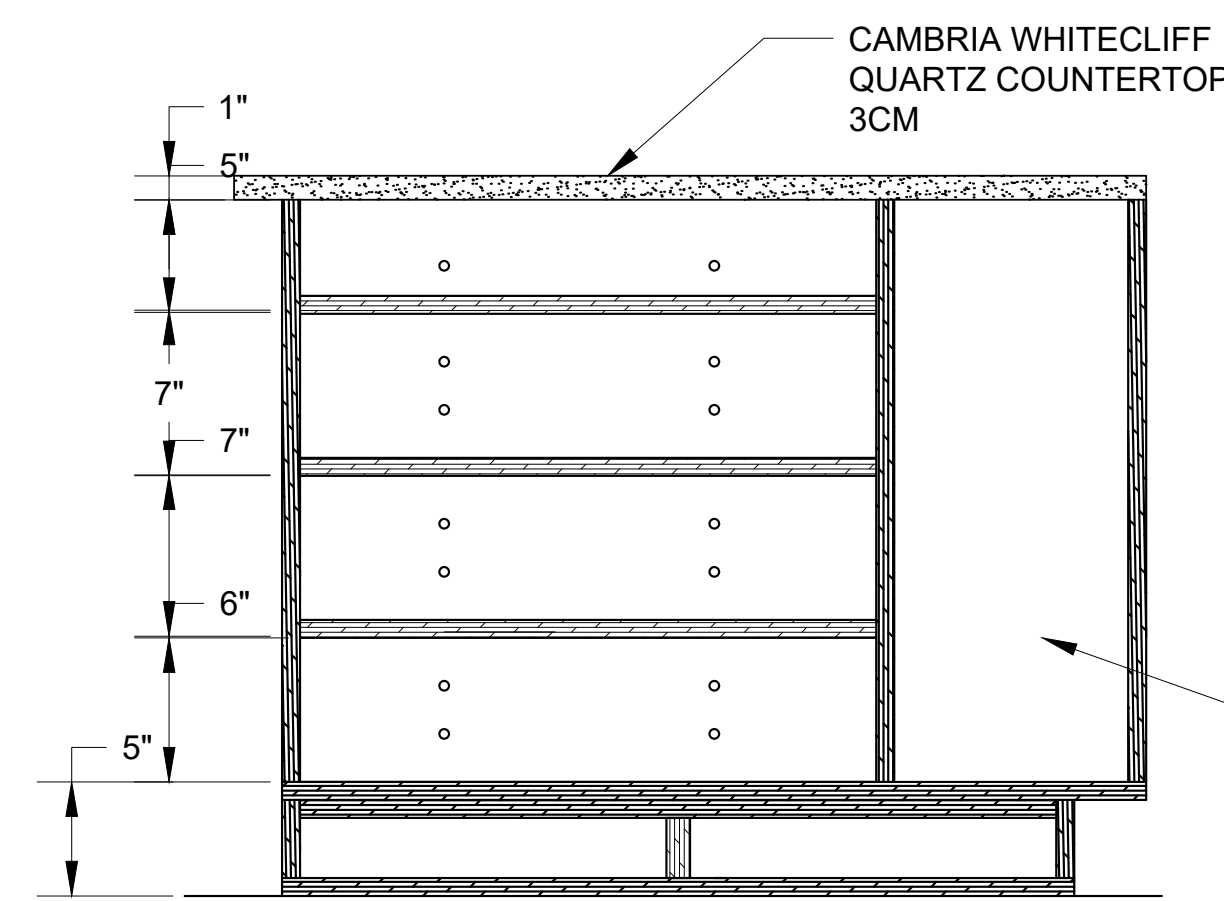
SIDE VIEW
SCALE: 3/4" = 1'



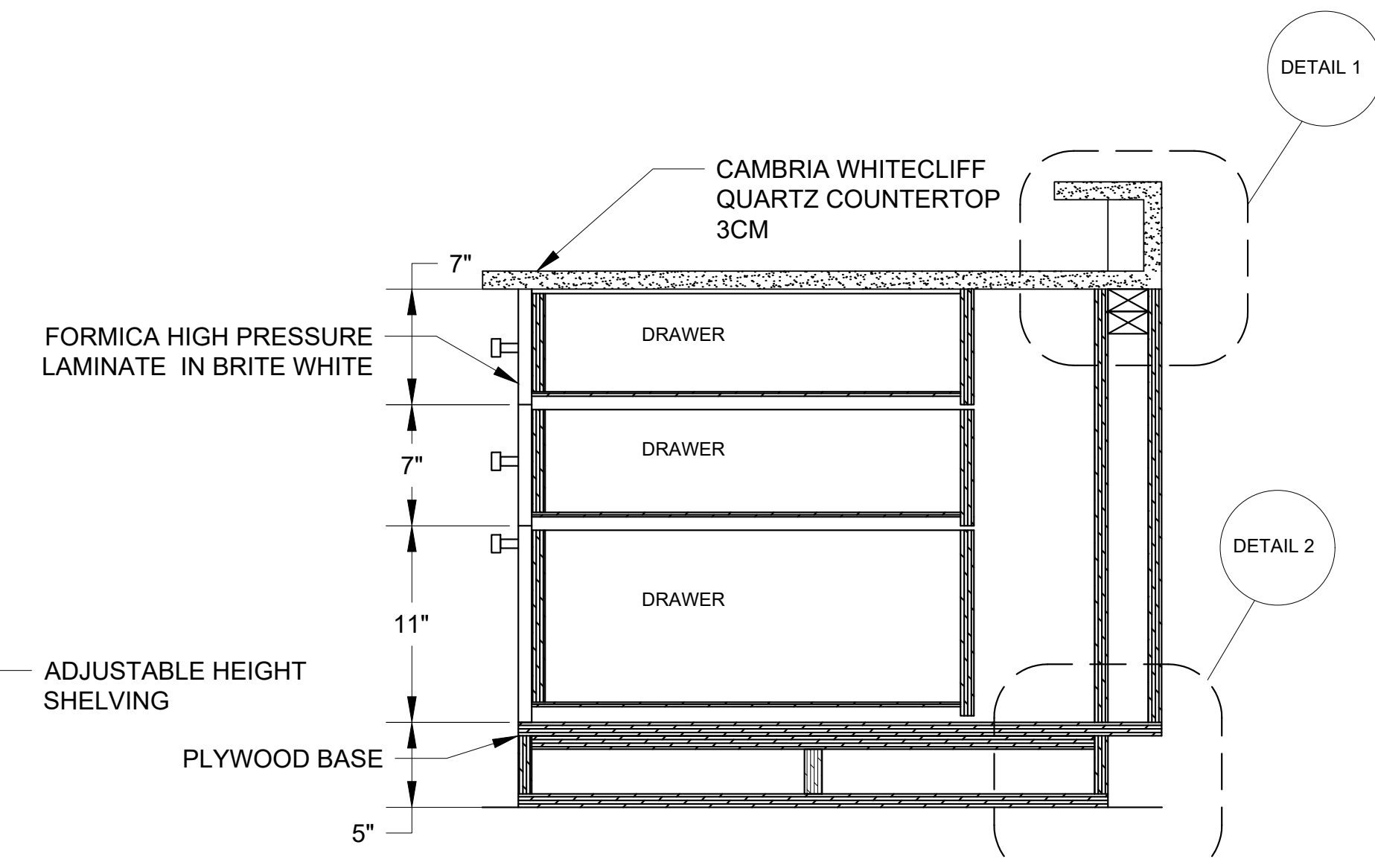
DETAIL DRAWING 1
SCALE: 3"=1"



DETAIL DRAWING 2
SCALE: 3"=1"



SECTION DRAWING 1
SCALE: 1 1/2"=1'



SECTION DRAWING 2
SCALE: 1 1/2"=1'

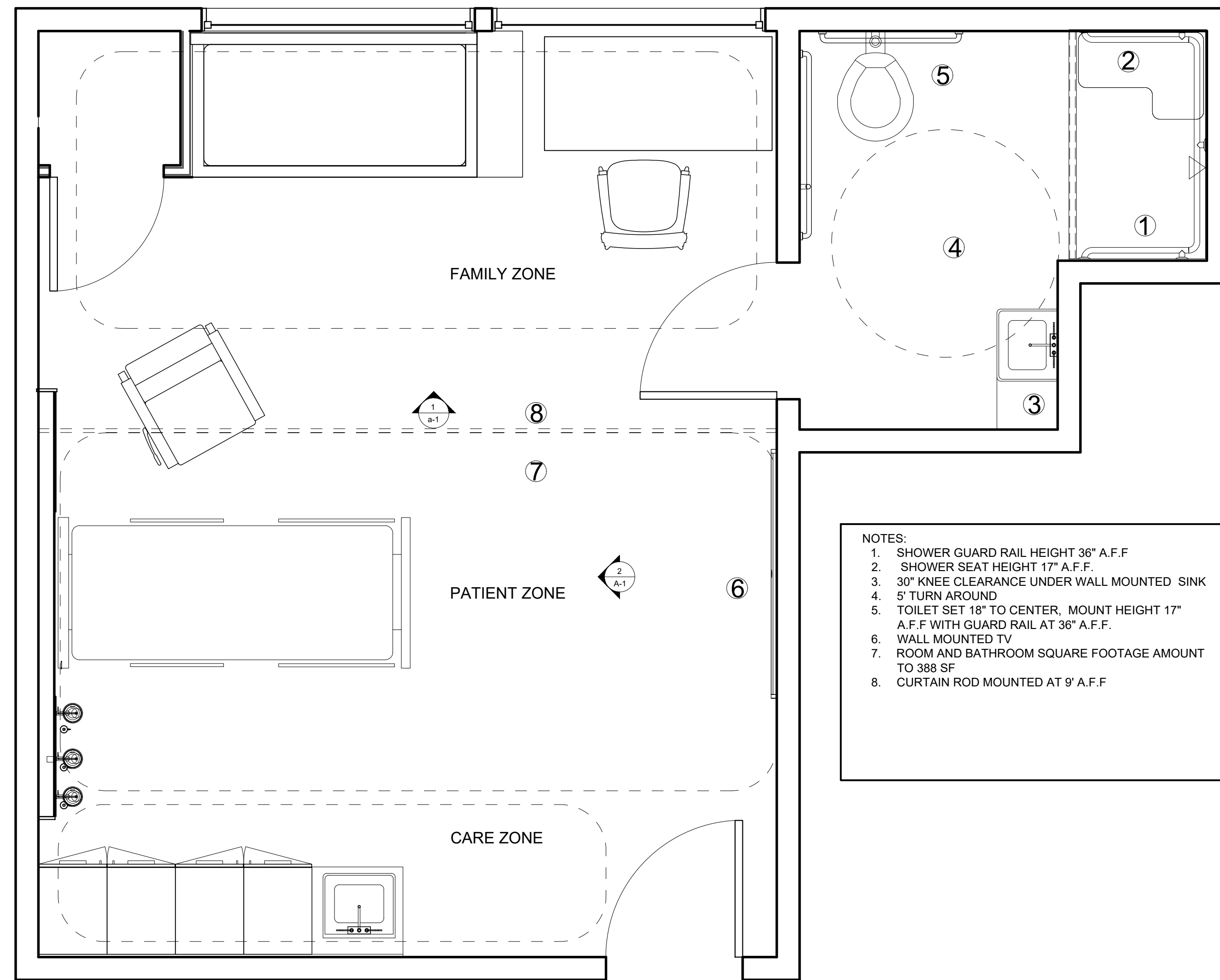
DATE: SPRING 2019

SCALE:
AS NOTED

NAME:
JASMINE BOOKER

SHEET:

A-1



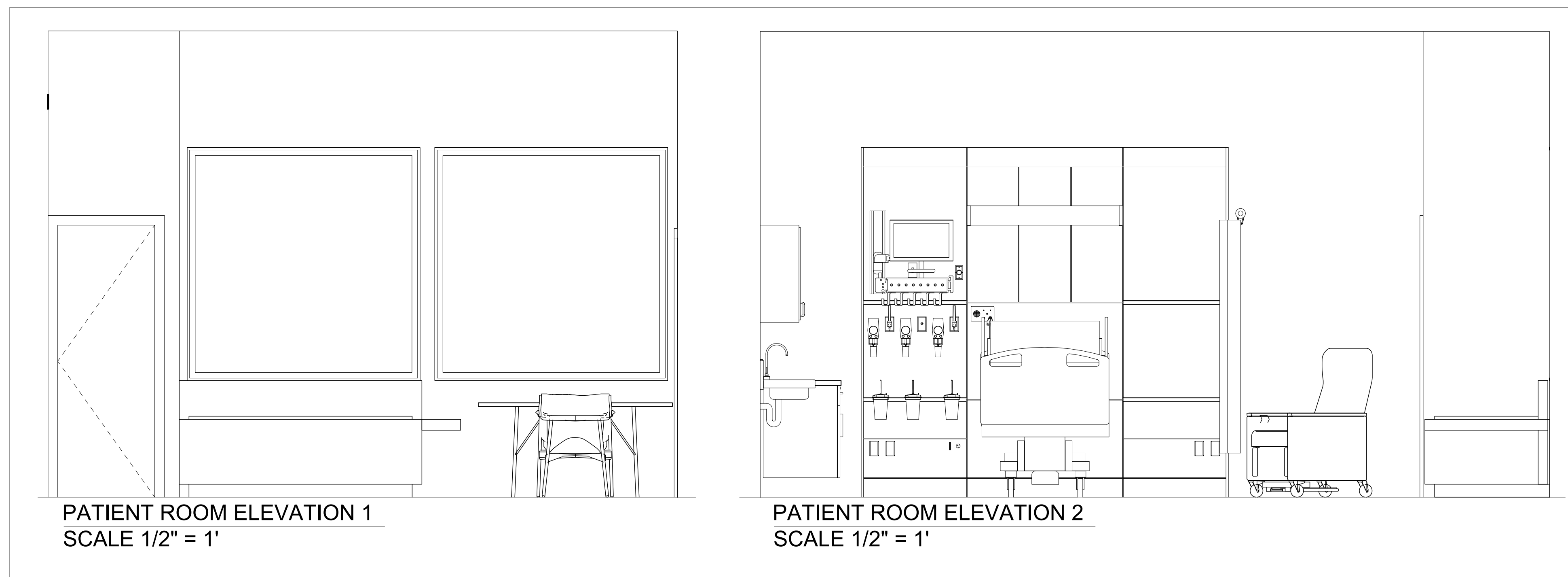
- NOTES:
1. SHOWER GUARD RAIL HEIGHT 36" A.F.F
 2. SHOWER SEAT HEIGHT 17" A.F.F.
 3. 30" KNEE CLEARANCE UNDER WALL MOUNTED SINK
 4. 5' TURN AROUND
 5. TOILET SET 18" TO CENTER, MOUNT HEIGHT 17" A.F.F WITH GUARD RAIL AT 36" A.F.F.
 6. WALL MOUNTED TV
 7. ROOM AND BATHROOM SQUARE FOOTAGE AMOUNT TO 388 SF
 8. CURTAIN ROD MOUNTED AT 9' A.F.F

PATIENT ROOM PLAN VIEW
SCALE 1/2" = 1'



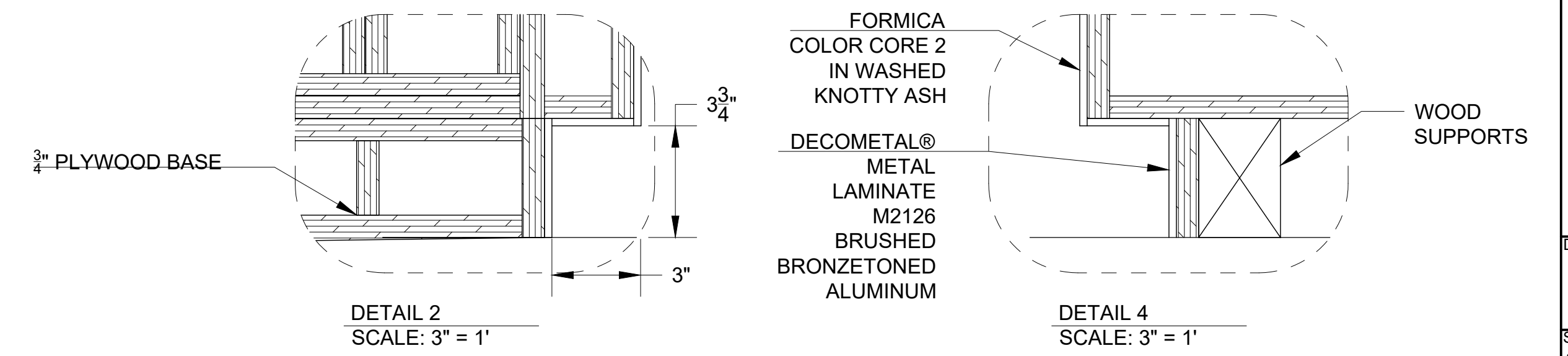
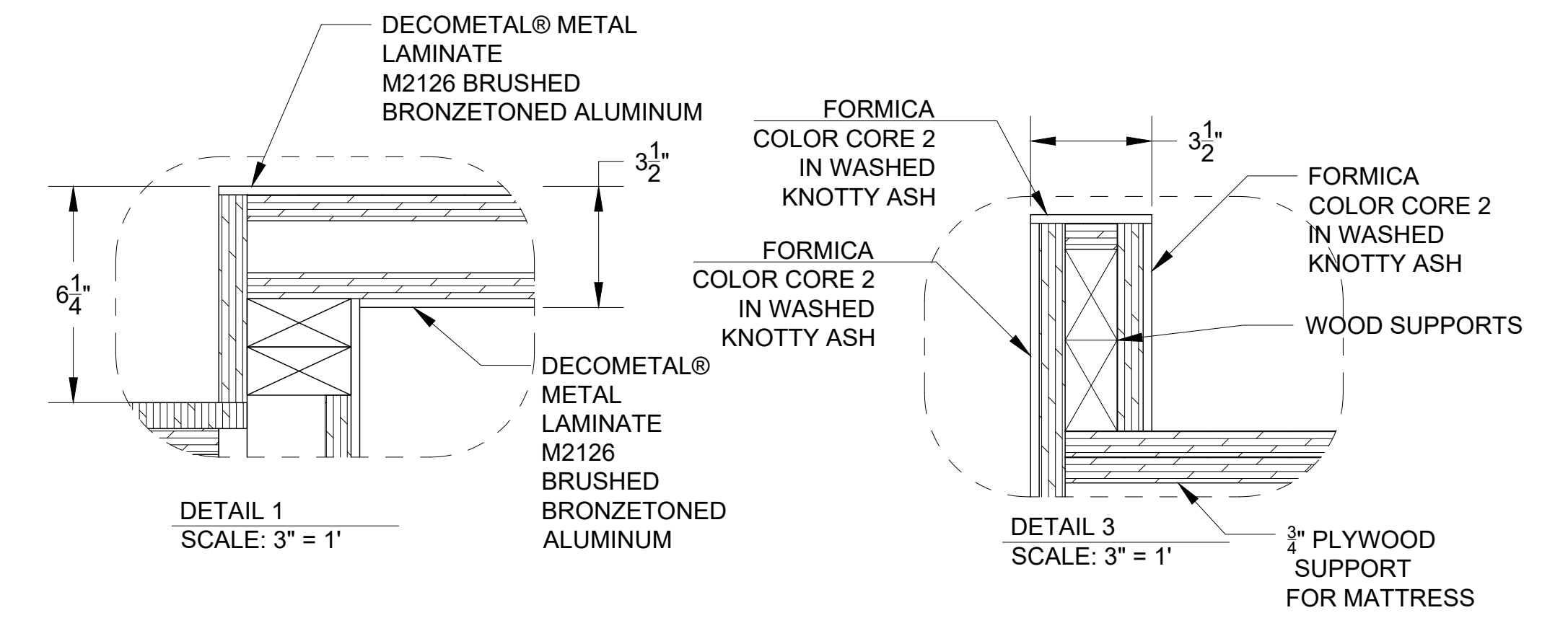
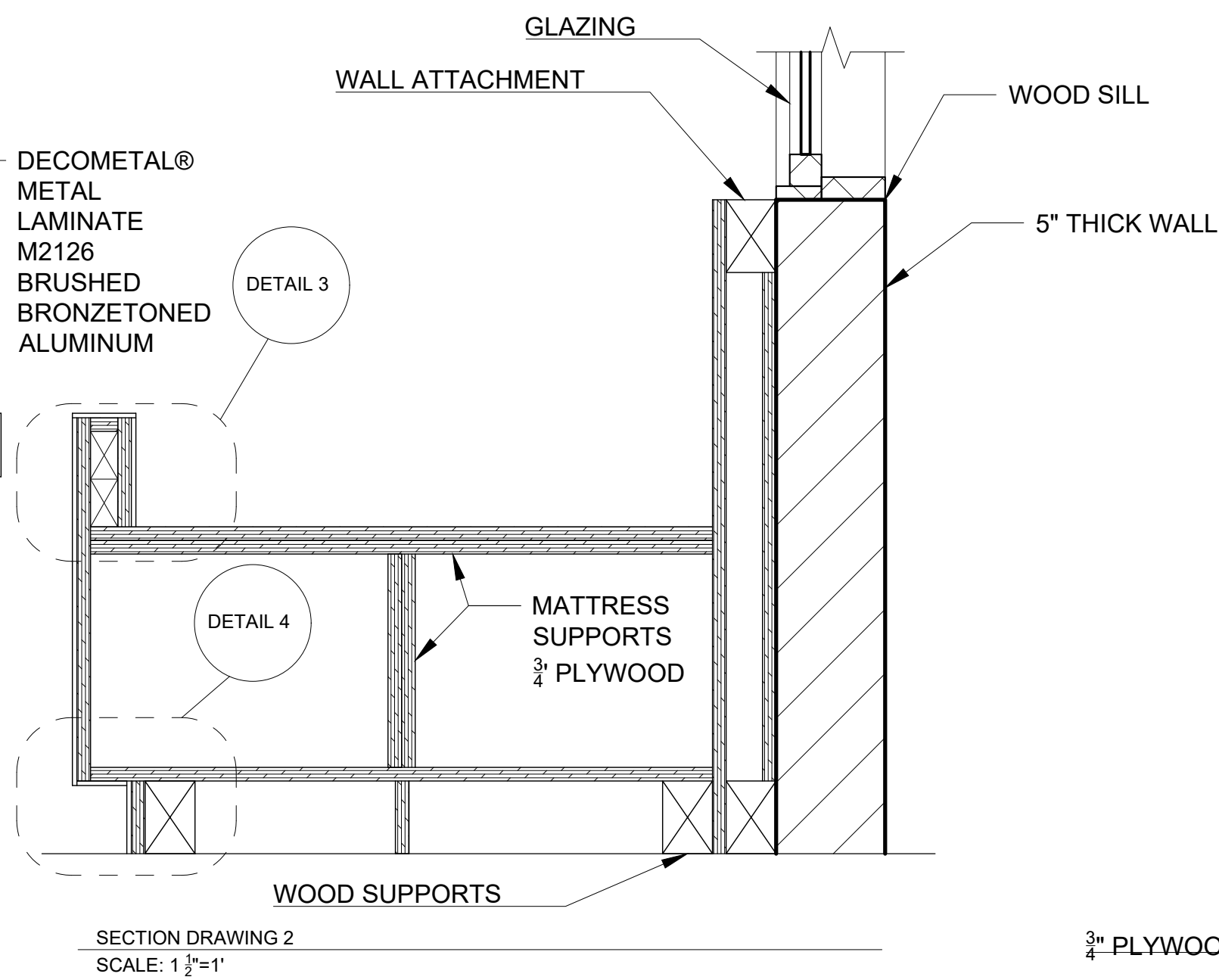
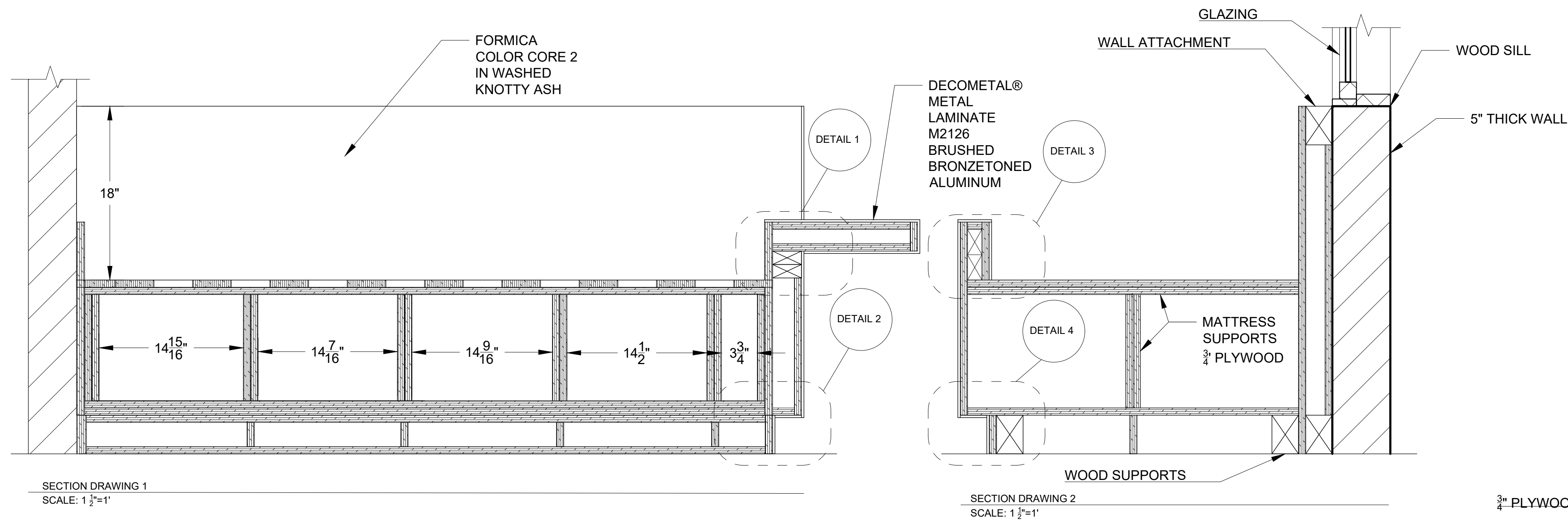
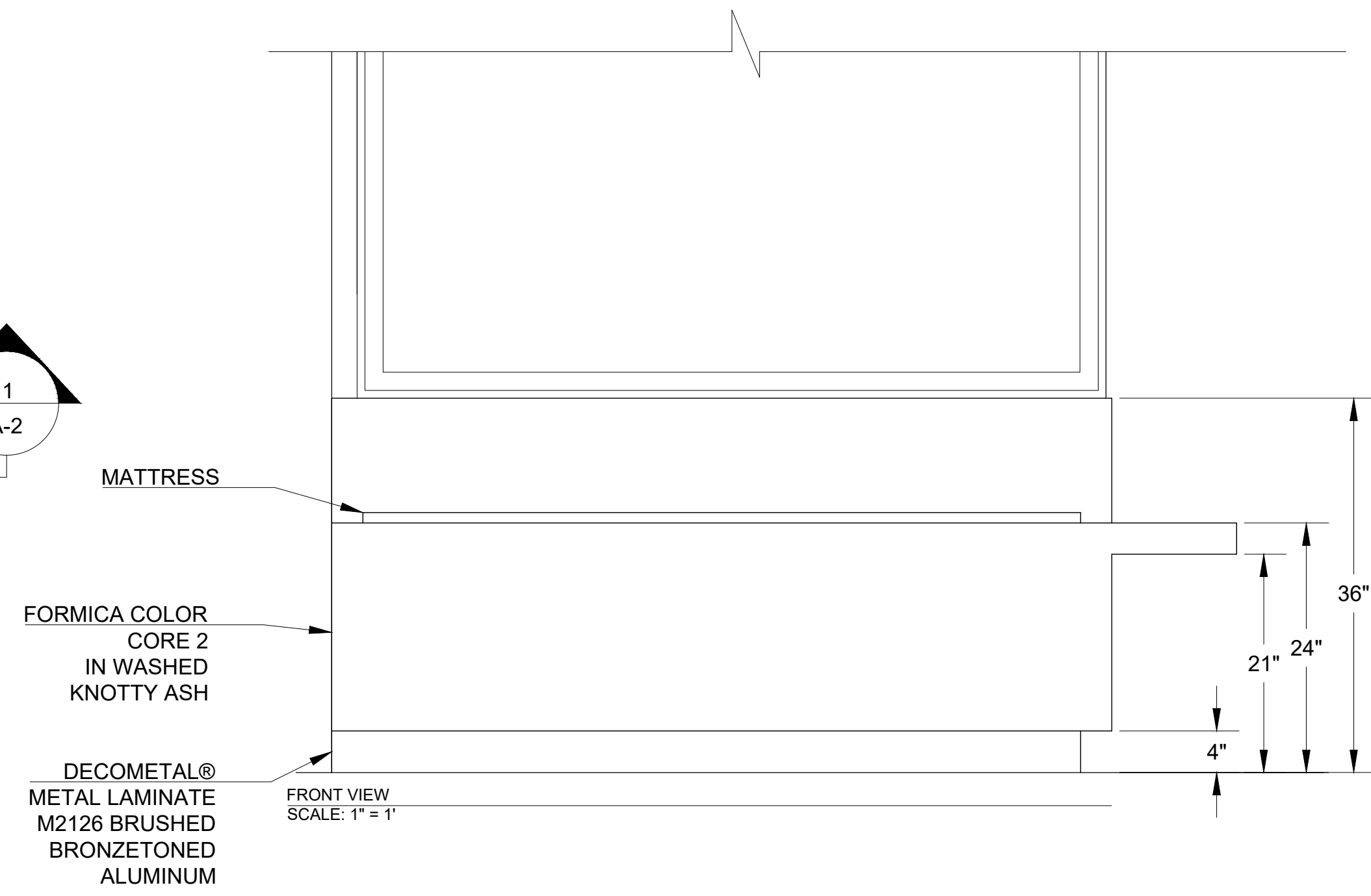
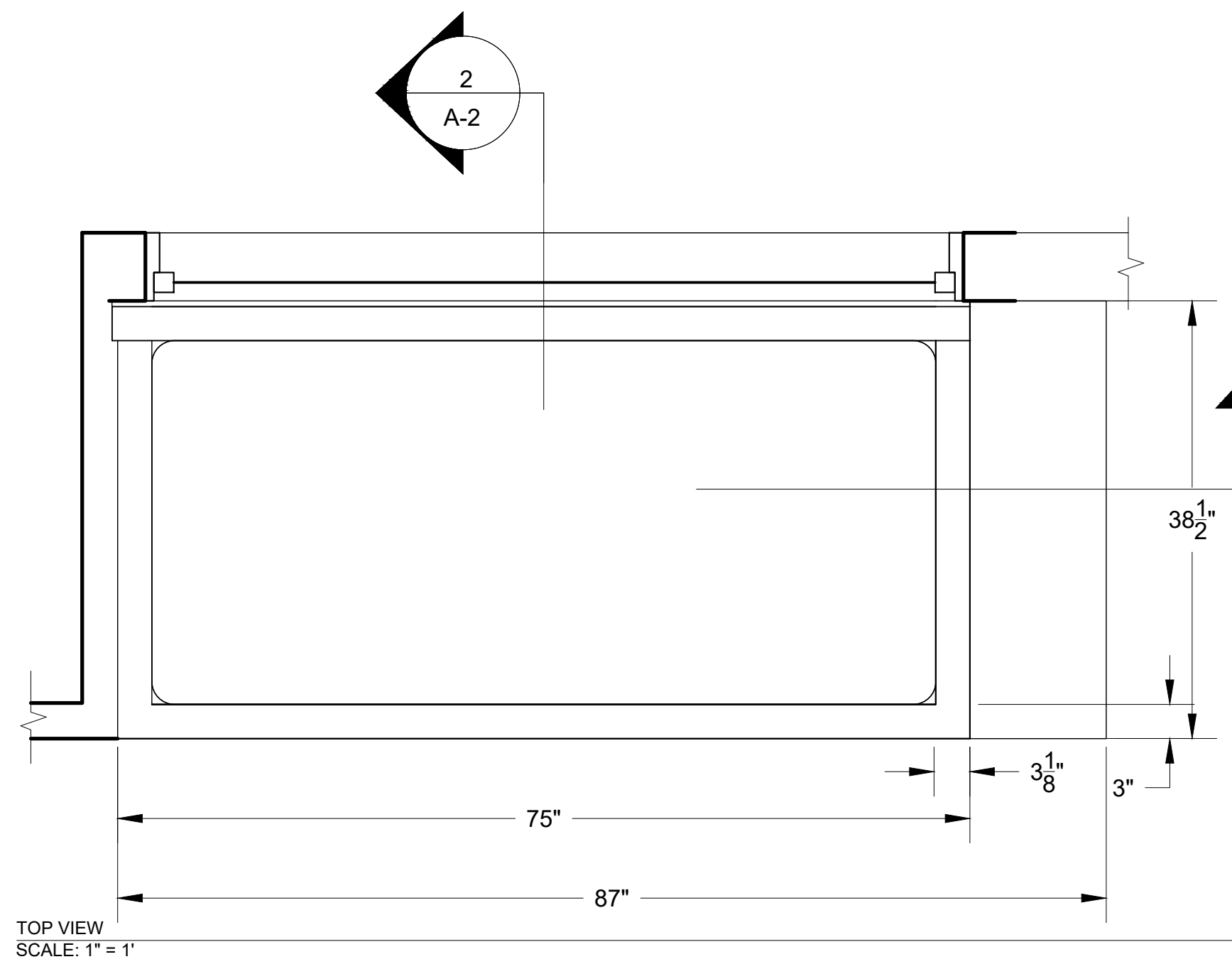
DESIGN SOLUTION:

The goal of this design was to calm the patient and their family by providing a calming environment. This was achieved by using the ocean as the design concept. Organic elements and textures from the ocean like the shape of waves and the calming tones of the water itself. This room has interesting graphics that are fun and unexpected in a hospital patient room so that children don't feel like they're at a hospital and older children can also enjoy the aesthetics.



PATIENT ROOM ELEVATION 1
SCALE 1/2" = 1'

PATIENT ROOM ELEVATION 2
SCALE 1/2" = 1'



PROTOTYPE PATIENT ROOM

DATE: SPRING 2019

SCALE: AS NOTED

NAME: JASMINE BOOKER

SHEET: